

# 25 Watt VHF/UHF Go Box



Full Details on Following Pages...

# 25 Watt VHF/UHF Go Box



- Leixen LX VV-898S 25 Watt Dual Band VHF-UHF Transceiver, with microphone
- List of frequencies programmed in transceiver
- 18' of Coax
- Cigarette Lighter Power Cord
- 15' AC Power Cord
- ARRL Radiogram Forms
- Leixen Transceiver Manual
- Spare Fuses (2)

## 25 Watt VHF/ UHF Go Box

### Major Parts List & Sources



- Leixen LX VV-898S Dual Band VHF-UHF Transceiver w/ Microphone -- Amazon.com \$98
- Orange Box -- West Marine - Plano Dry Storage Tackle Box 15W x 10D x 8H \$21
- 18' of Coax -- Amazon.com RG-58A/U 2 for \$8.50
- Power Supply: Intocircuit LCD 60W 12V 5A Adapter Charger for Benq LCD Monitors [amazon.com](https://www.amazon.com) \$7.50
- Power Cord: Pwr+ 12 Ft 3 Prong Ac Power Cord for LCD Tv Plasma DLP LED Monitor [amazon.com](https://www.amazon.com) \$7
- Cigarette Lighter Power Cord (Make one up) or... purchase from Powerwerx. P/N CGPP-18 \$13
- ARRL Radiograms - ARRL.org 70 sheets / \$2

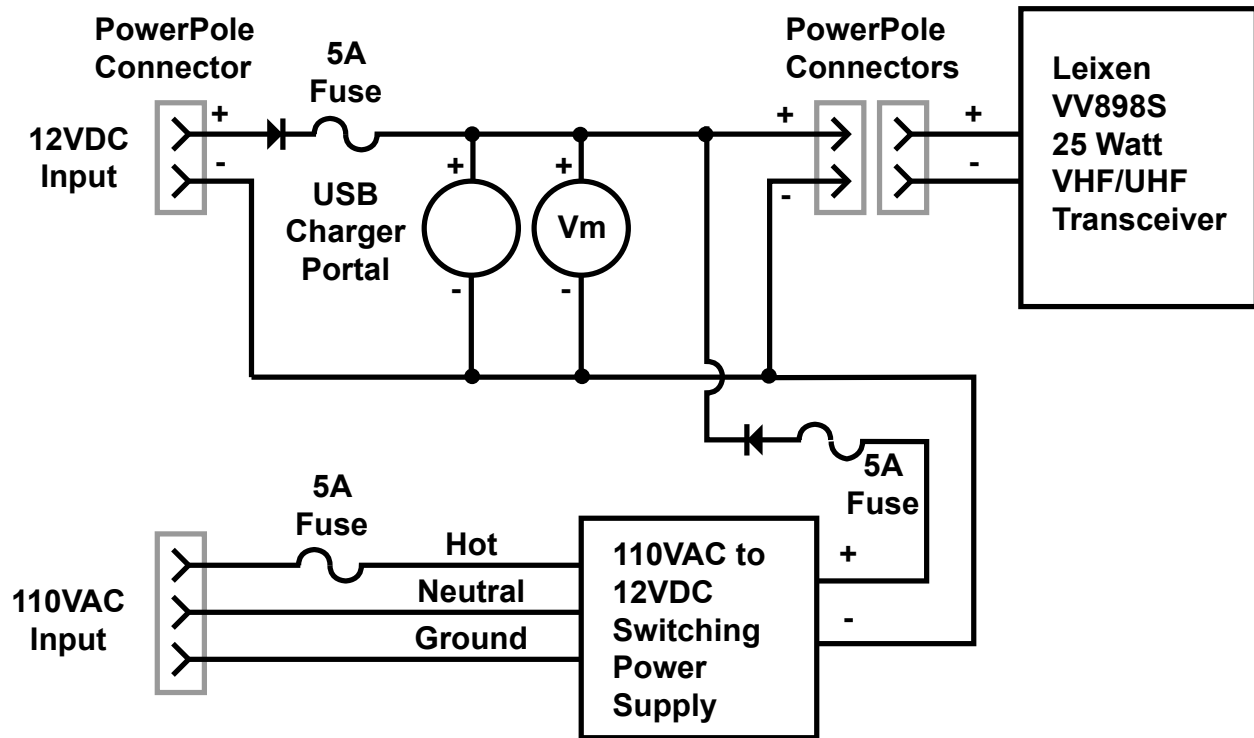
# 25 Watt VHF/UHF Go Box

## Parts List & Sources



- ZJchao Dual USB Charger Socket Waterproof Design With DC Voltmeter \$16
- Powerwerx Powerpole Chassis Mount for two Powerpole Sets (4 conductors), assembled \$12
- Fuse Holder: Blue Sea Systems Panel Mount AGC/MDL -- Amazon.com \$3.50 ea (3 pieces)
- RF Coaxial Coax Adapter UHF female to female SO239 to SO239 Panel Connector -- Amazon.com \$6.50 ea.
- Amphenol RF 83-1AC-RFX Dust Cap -- Amazon.com (5 pcs \$22)
- Black 3 Pins IEC320 C14 Inlet Power Plug Socket AC 250V 10A Ten pieces for \$5
- Internal: 1 1/2' of RG-58 A/U with PL259 on each end to connect transceiver to panel coax connector.

## Circuit Diagram for 25 Watt Go Box



## Notes

Both the external 12VDC input and the internal 12VDC power supply are isolated from each other with 10 Amp Diodes.

This is to prevent connection of two separate DC sources, which would interfere with each other if not isolated.

Note that the 12VDC PowerPole Connector at top left is for INPUT only. It cannot supply 12VDC to an external load.