

Ten Watt VHF/UHF Go Box



Full Details on Following Pages...

Ten Watt VHF/UHF Go Box



Contents

- Leixen LX VV-898 Dual Band VHF-UHF Transceiver, with microphone
- List of frequencies programmed in transceiver
- 18' of Coax
- Cigarette Lighter Power Cord
- Wall-Wart 110VAC to 12VDC 3 Amp Converter
- ARRL Radiogram Forms
- Leixen Transceiver Manual
- Spare Fuses (2)

Ten Watt VHF/UHF Go Box



Major Parts List & Sources

- Leixen LX VV-898 Dual Band VHF-UHF Transceiver -- Amazon.com \$70
- Orange Box -- West Marine - Plano Dry Storage Tackle Box 11 5/8W x 5 1/8D x 7 1/8H \$11
- 18' of Coax -- Amazon.com RG-58A/U 2 for \$8.50
- Wall-Wart Ac 100-240V to Dc 12V 3A Switching Power Supply -- Amazon.com \$12
- Cigarette Lighter Power Cord (Make one up) or... purchase from Powerwerx. P/N CGPP-18 \$13
- ARRL Radiograms - ARRL.org 70 sheets / \$2

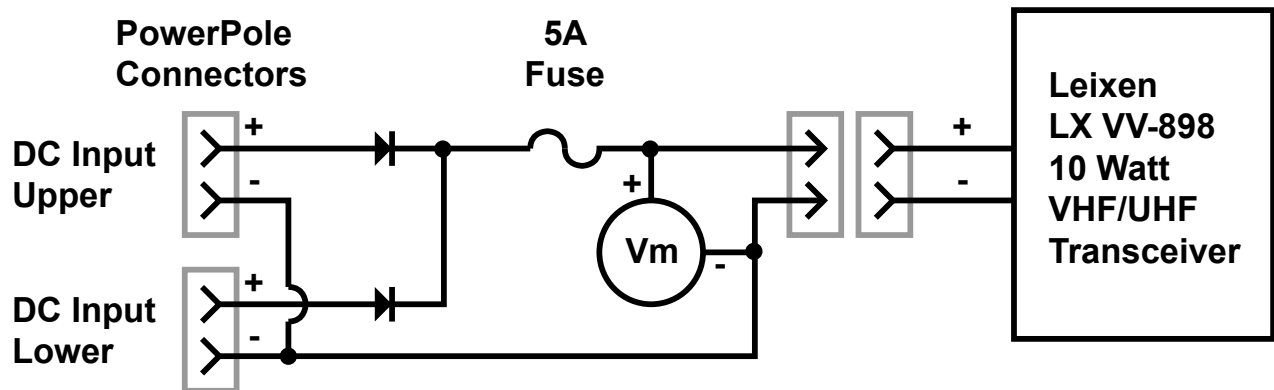
Ten Watt VHF/UHF Go Box



Parts List & Sources

- Coromose 12V-24V LED DC Digital Display Voltmeter -- Amazon.com \$6.20
- Powerwerx Powerpole Chassis Mount for two Powerpole Sets (4 conductors), assembled \$12
- Fuse Holder: Blue Sea Systems Panel Mount AGC/MDL -- Amazon.com \$3.50 ea
- RF Coaxial Coax Adapter UHF female to female SO239 to SO239 Panel Connector -- Amazon.com \$6.50 ea.
- Amphenol RF 83-1AC-RFX Dust Cap -- Amazon.com (5 pcs \$22)
- Internal: 1 1/2' of RG-58 A/U with PL259 on each end to connect transceiver to panel coax connector.

Circuit Diagram for 10 Watt Go Box



Note

Both DC Inputs are isolated from each other with 10 Amp Diodes.

This is to prevent connection of two separate DC sources, which would interfere with each other if not isolated.

And to prevent someone connecting a 12VDC **load** to one of the connections that could overload the small 3A wall wart.